

GA500 series • Scrub Water Rated Floor Box



Meets or exceeds UL514A

The UL and cUL Listed GA500 series floor box combines flexibility, ease of installation, high capacity, and long-term value in an economical scrub water rated floor box assembly.

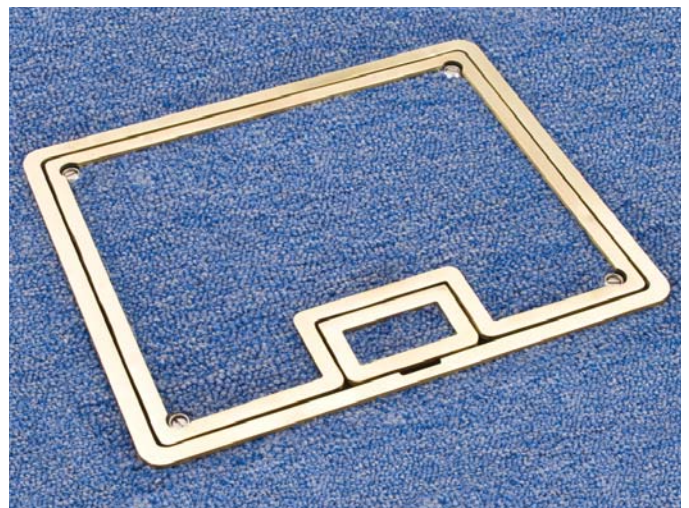
Modular design accommodates a wide variety of AV connectors, active devices, and barrier separated AC power with up to 12 gangs of usable space.

The concrete rated rough-in box includes alignment labeling and a temporary pour cover for rough-in installation.

The GA500 is available in several trim heights for use on carpet, or with tile or wood flooring.

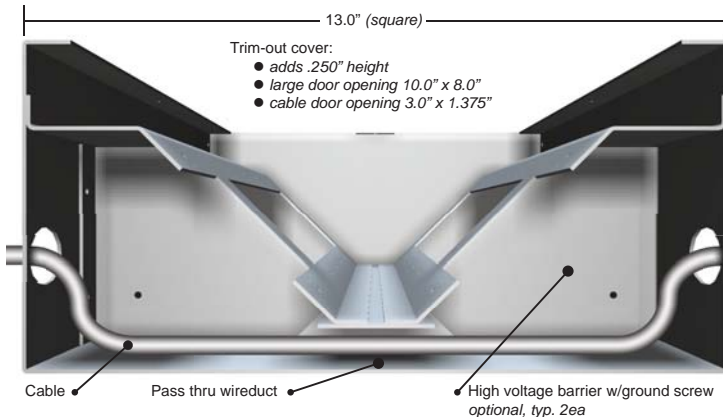
Ideal for classrooms, houses of worship, conference rooms, courtrooms, performance venues or anywhere a carpet covered or scrub water rated floor box is needed.

- **Accepts up to 40 XLR type connectors or 28 XLR's and 2 duplex power receptacles**
- **Available stock variations provide maximum flexibility for multi-gang devices**
- **Seamless solid brass trim**
- **Lift-out door with attached chain provides easy access and prevents cover loss**
- **Large hinged cable door provides spacious cable exit**
- **Pass thru wireduct feature allows multiple floor boxes on single conduit run, hides and protects cables**



GA500 series cutaway

Cutaway view

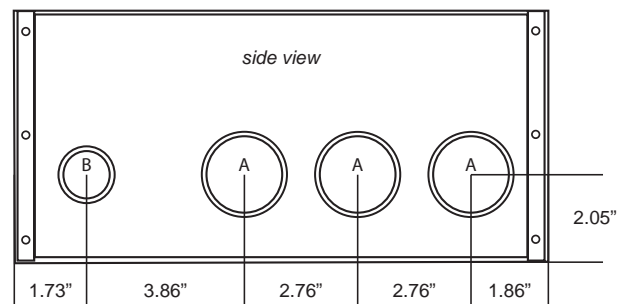
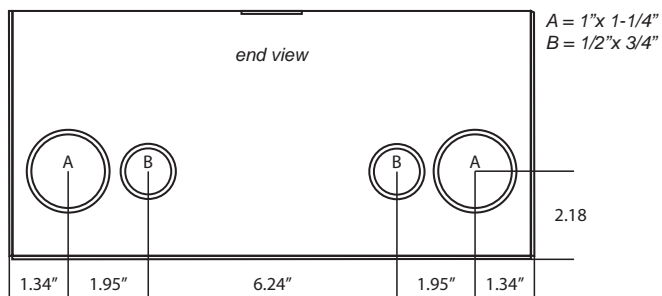


- **GA500-P60 Rough-in box - equipped w/**
 - rough-in box - concrete rated, 13" x 13" x 6.0"
 - temporary pour cover 13.5" x 13.5" x .250"
 - leveling screws (*optional*)
 - mounting hardware and instructions

- 6 **GA500 series Trim-out cover kit - equipped w/**
 - trim-out cover w/ lift-out door, .375" trim height
 - gang panel frame - 2ea
 - removable high voltage barrier - 2ea
 - mounting hardware and instructions

Visit www.mysteryelectronics.com for ordering information

GA500-P60 rough-in box details



A&E specification

GA500-P60 rough-in box - Rough-in box shall be UL and cUL listed and shall meet or exceed UL514A. Rough-in box assembly shall consist of: rough-in box, panel frame (2ea), temporary pour cover, wireduct feature, voltage barrier (2ea), and required mounting hardware. Rough-in box shall be constructed of heavy gauge galvanized steel, shall measure 13"x13"x__" (specify), shall have 16 knockouts (6ea 1/2" & 3/4", 10ea 1" & 1-1/4"). Rough-in box shall have leveling screws, attached alignment label to aid rough-in box alignment/positioning of subsequent GA500 floor box assembly, and shall have a factory supplied temporary cover for construction rough in. Rough-in box cover mounting flange shall have 8 ea 8/32 tapped holes to accommodate mounting of GA500 cover assembly with supplied stainless steel flat head screws. Rough-in box shall be Mystery Electronics GA500 series rough-in box.

GA500 series Trim Out Cover - Cover shall be UL and cUL listed and shall meet or exceed UL514A. Cover shall consist of: 11 gauge steel cover, powder coated, with integral 3/8" wide continuous solid brass carpet or inlay trim with rounded corners, 11 gauge, gasketed, steel lift-out door, powder coated, with integral 3/8" wide continuous solid brass carpet or inlay trim with rounded corners, 4ea stainless steel captive cover sealing screws, and removable attached chain to prevent cover loss. Interior opening shall be 8"x10" and cable door cable exit shall be 3"x1-3/8". Cover shall be Mystery Electronics GA500 series trim-out cover.

MYSTERY
ELECTRONICS, LLC

6438 Morton Road
Greenbrier, TN 37073
800 798 2256 sales
615 643 8460 voice
615 643 8464 fax
www.mysteryelectronics.com

floor box solutions since 1979

EAA020_010