

## FB5000 series • Scrub Water Rated Floor Box



LISTED Meets or exceeds UL514A

The UL and cUL Listed FB5000 series floor box combines flexibility, ease of installation, high capacity, and long-term value in an economical scrub water rated floor box assembly.

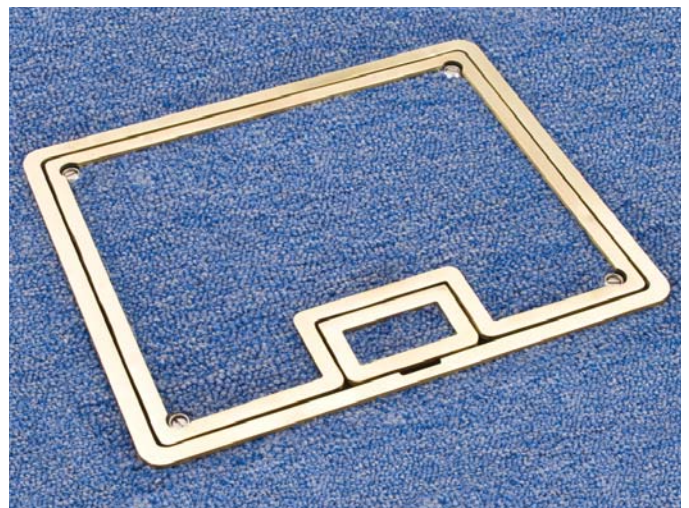
Modular design accommodates a wide variety of AV connectors, active devices, and barrier separated AC power with up to 12 gangs of usable space.

The concrete rated backbox includes alignment labeling and a temporary pour cover for rough-in installation.

The FB5000 is available in several trim heights for use on carpet, or with tile or wood flooring

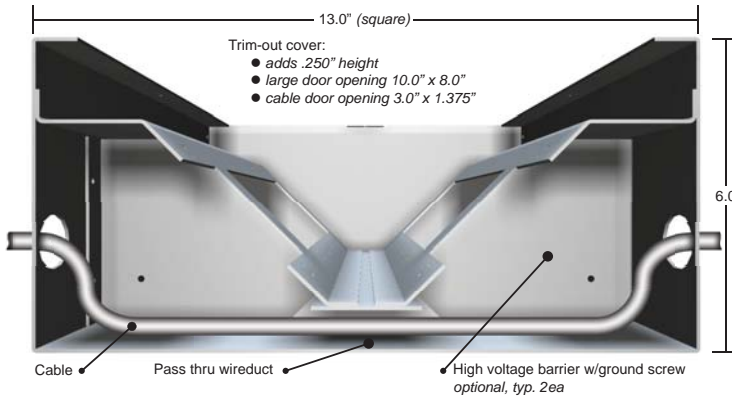
Ideal for classrooms, houses of worship, conference rooms, courtrooms, performance venues or anywhere a carpet covered or scrub water rated floor box is needed.

- **Accepts up to 40 XLR type connectors or 28 XLR's and 2 duplex power receptacles**
- **Available stock variations provide maximum flexibility for multi-gang devices**
- **Seamless solid brass trim**
- **Lift-out door with attached chain provides easy access and prevents cover loss**
- **Large hinged cable door provides spacious cable exit**
- **Pass thru wireduct feature allows multiple floor boxes on single conduit run, hides and protects cables**



## FB5000 series cutaway

### Cutaway view



**FB5000** series scrub water rated floor box consists of:

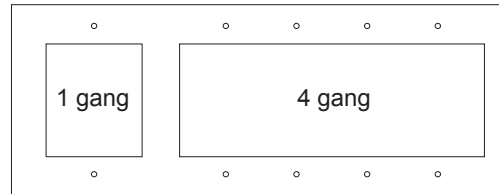
#### Backbox

- backbox - concrete rated, 13" x 13" x 6.0"
- temporary pour cover 13.5" x 13.5" x .250"
- mounting hardware and instructions

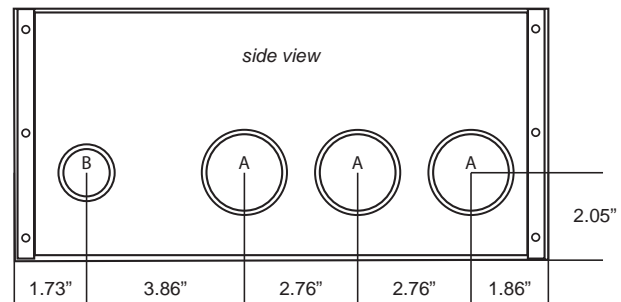
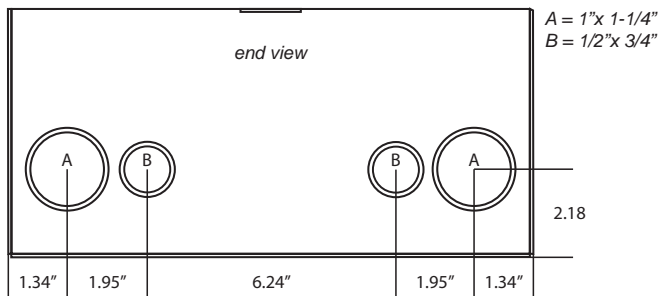
#### Trim-out cover kit

- trim-out cover w/ lift-out door, .375" trim height
- gang panel frame with 1 & 4 gang spaces - 2ea
- removable high voltage barrier - 2ea

#### Gang panel frame layout



## FB5000 series backbox details



## A&E specification

**FB5000 series backbox** - Backbox shall be UL and cUL listed and shall meet or exceed UL514A. Backbox assembly shall consist of: backbox, panel frame (2ea), temporary pour cover, wireduct feature, voltage barrier (2ea), and required mounting hardware. Backbox shall be constructed of heavy gauge galvanized steel, shall measure 13"x13"x\_\_" (specify), shall have 16 knockouts (6ea 1/2" & 3/4", 10ea 1" & 1-1/4"). Backbox shall have attached alignment label to aid backbox alignment/positioning of subsequent FB5000 floor box assembly and shall have a factory supplied temporary cover for construction rough in. Backbox cover mounting flange shall have 8 ea 8/32 tapped holes to accommodate mounting of FB5000 cover assembly with supplied stainless steel flat head screws. Backbox shall be Mystery Electronics FB5000 series backbox.

**FB5000 series trim-out cover assembly** - Cover assembly shall be UL and cUL listed and shall meet or exceed UL514A. Cover assembly shall consist of: 11 gauge steel cover, powder coated, with integral 3/8" wide continuous solid brass carpet or inlay trim with rounded corners, 11 gauge, gasketed, steel lift-out door, powder coated, with integral 3/8" wide continuous solid brass carpet or inlay trim with rounded corners, 4ea stainless steel captive cover sealing screws, and removable attached chain to prevent cover loss. Interior opening shall be 8"x10" and cable door cable exit shall be 3"x1-3/8". Cover assembly shall be Mystery Electronics FB5000 series trim-out cover.

*floor box solutions since 1979*

**MYSTERY**  
ELECTRONICS, LLC   
6438 Morton Road  
Greenbrier, TN 37073  
800 798 2256 sales  
615 643 8460 voice  
615 643 8464 fax  
[www.mysteryelectronics.com](http://www.mysteryelectronics.com)